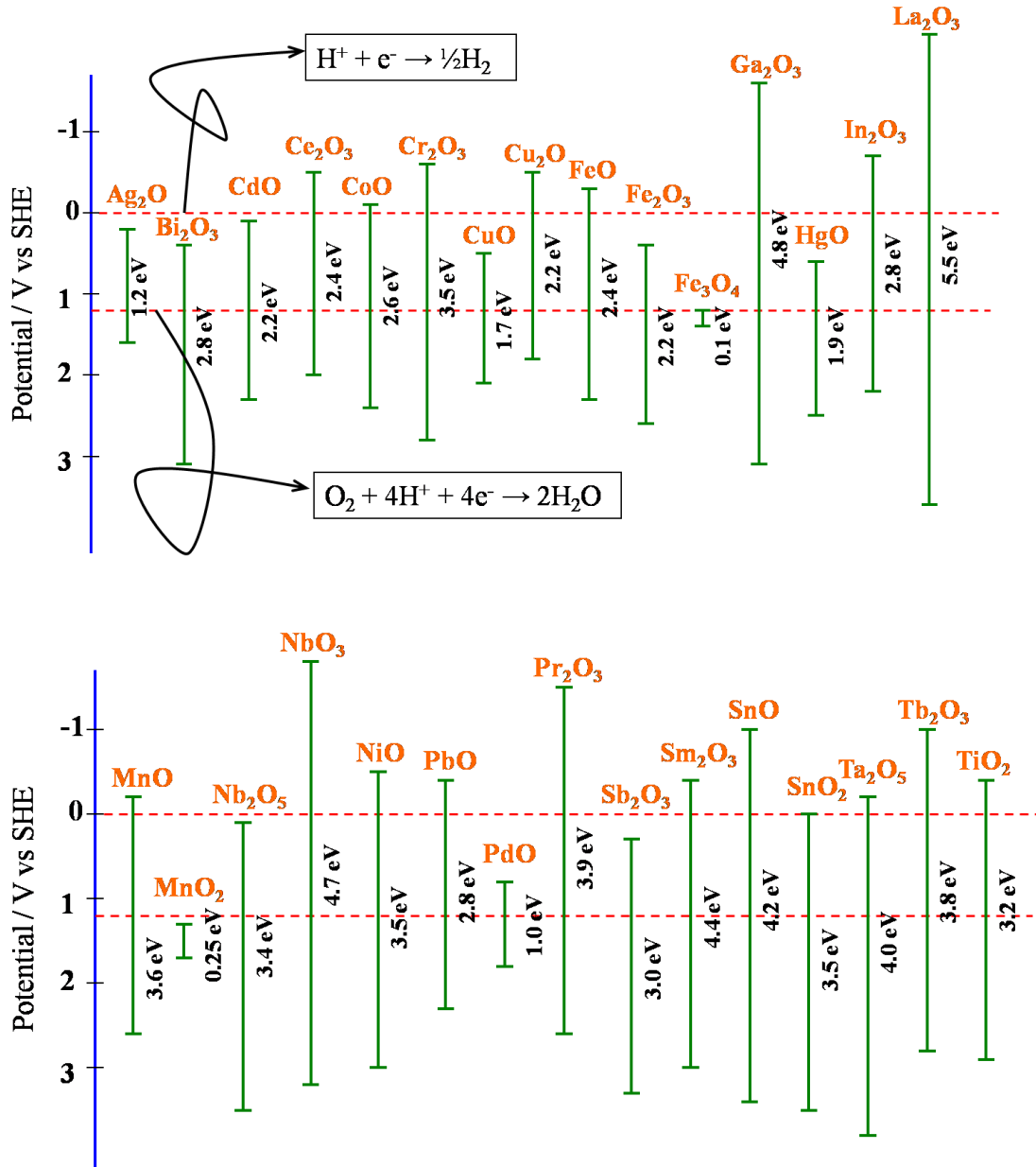
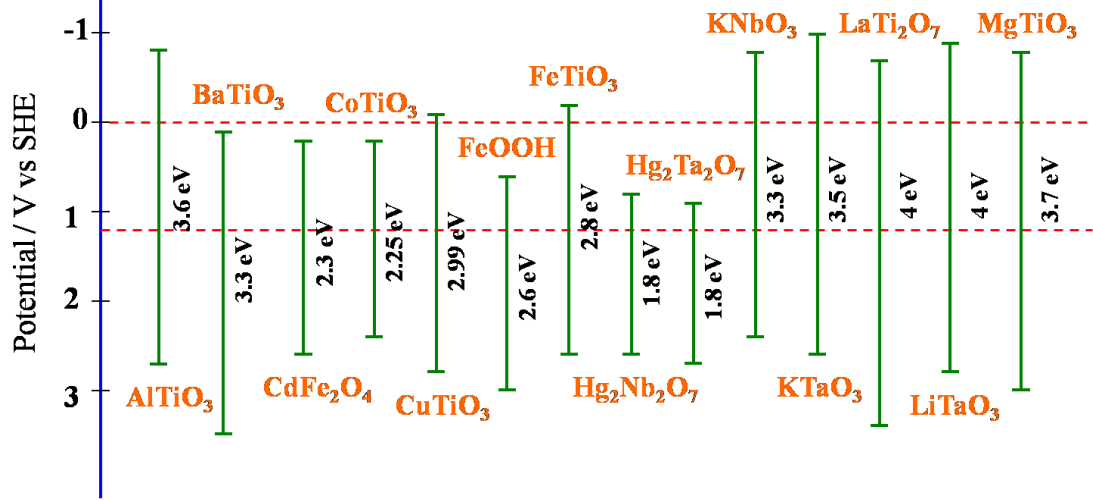
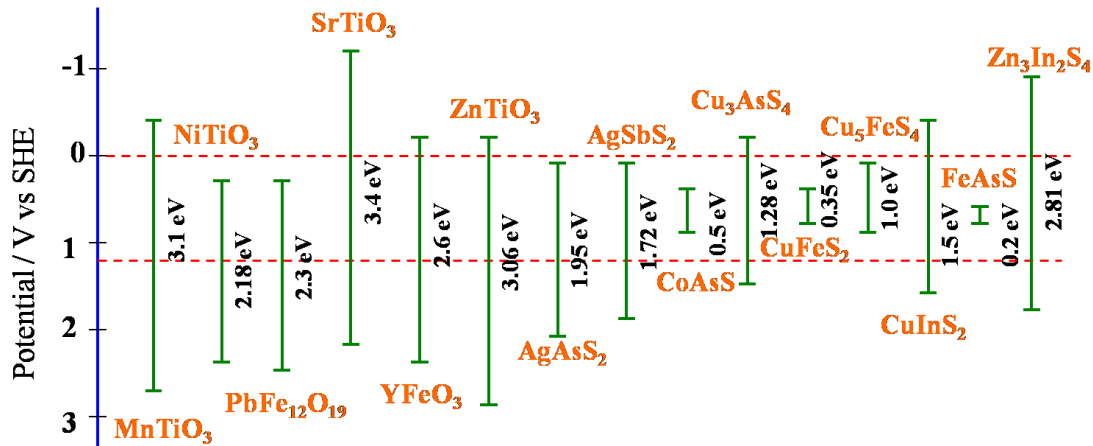
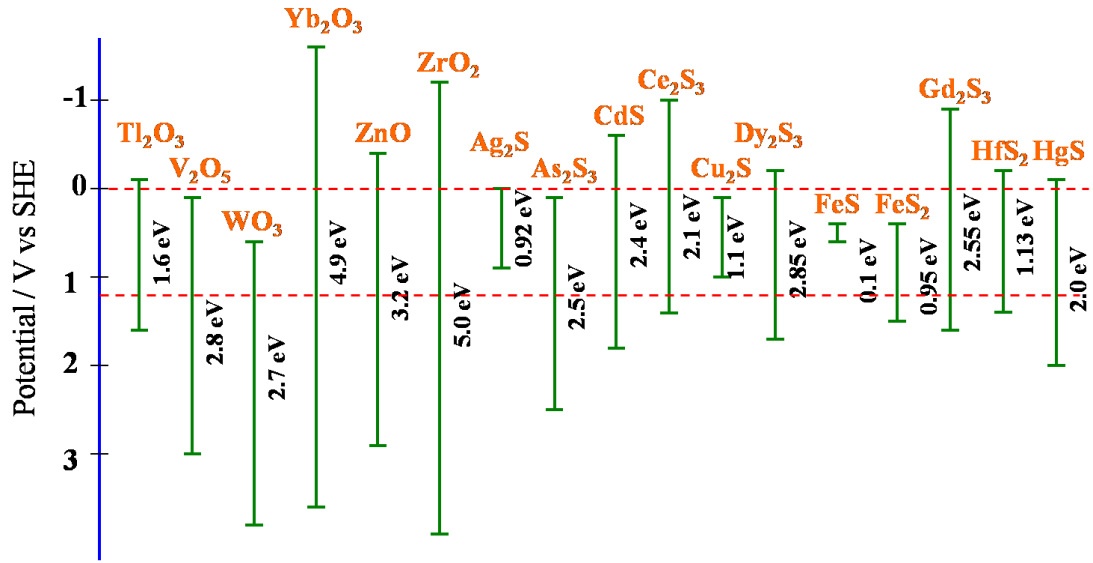


Relative position of bottom of conduction band and top of valence band





Edit by **Renhong**